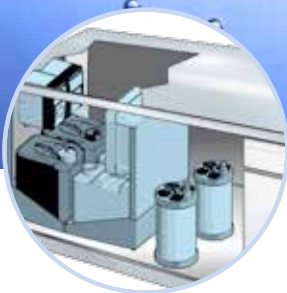




DR. WEIGERT
Systematic Hygiene

Dosing Technology and Plant Engineering



weigomatic®
endoDOS

The Dosing System for the
Automated Reprocessing of Endoscopes.

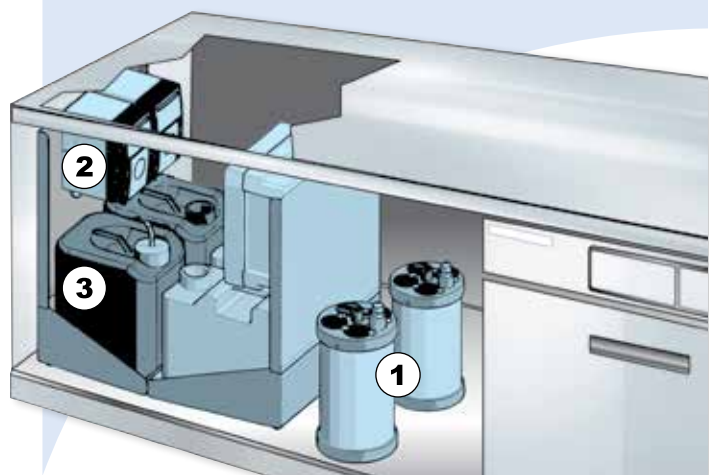
weigomatic® endoDOS – Safe Cleaning and Disinfecting Processes in the WD-E¹

weigomatic® endoDOS

The dosing system offers an absolutely safe, hygienically sound and efficient dosing system solution for operating one or more WD-E.

- For the supply of up to four WD-E with process chemicals

The system shown in this example is especially designed for the use of 5-litre-canisters. It goes without saying that we also offer tailor-made solutions for larger canisters on request.



- ① **weigomatic® buffer tank:** PVC, robust design, extensively checked for material compatibility with the neodisher® detergents and disinfectants recommended for automated reprocessing of flexible endoscopes. 1.5 l holding capacity. Integrated level meter and overflow controller. Supplies up to four WD-E
- ② **weigomatic® concept dosing pumps:** speed-controlled drive system for the exact dosing of neodisher® detergents and disinfectants
- ③ **weigomatic® suction lance:** stainless steel, ensures that the containers are fully emptied, equipped with a mix-up-proof connection

Our Competence – Your Benefit:

- exact, reliable dosing of the process chemicals
- fully emptied canisters
- closed dosing system
- compact design; with a telescopic console
- different dosing lances for detergent and disinfectant
- only one dosing system for up to four WD-E



- safe cleaning and disinfecting processes, controlled changing of detergents and disinfectants
- improves personnel protection, saves costs and reduces the environmental impact
- high user safety and reduced odour
- space-saving; can be easily integrated in a standard cabinet unit; easily accessible
- prevention of a mix-up of process chemicals due to various canister and dosing lance shapes
- clear interface between dosing unit and WD-E

Safe Processes in Reprocessing

The use of WD-E offers essential advantages: First and foremost a safe and efficient cleaning and disinfection of endoscopes and endoscopic accessories are ensured taking into account all the measures for protecting personnel. Furthermore, these hygiene results become reproducible with standardised and validated processes which also legally protect the user. The KRINKO/BfArM recommendation* also refers to these requirements mentioned in the Medical Device Operator Ordinance.

Safe reprocessing in WD-E can only be ensured and documented if suitable detergents and disinfectants are dosed reliably and correctly. The problem with conventional dosing systems: with many WD-E a complete emptying of the container is not possible to ensure a required minimum amount of detergent and disinfectant for the next reprocessing cycle. The unacceptable consequence: residual amounts are inappropriately disposed of or manually decanted which presents a potential danger for the user and might also be against regulations. The **weigomatic® endoDOS** dosing system ensures that the canisters can be fully emptied without interrupting the supply of the WD-E with process chemicals – for clean and exact dosing.

Working Principle:

The supply of the WD-E with process chemicals is effected via compact weigomatic® buffer tanks. Using weigomatic® buffer tanks ensures that the canisters can be fully emptied without interrupting the supply of the WD-E. There is no decanting of residual amounts and consequently no unpleasant odour. This guarantees optimum protection for personnel and less environmental stress. An additional advantage is that the weigomatic® buffer tanks are supplied by a central dosing unit, which means that there is a clear interface between the dosing unit and the WD-E. The **weigomatic® endoDOS** unit together with two canisters each for the detergent and for the disinfectant are mounted on a telescopic console. This ensures a convenient access for changing canisters safely.

¹ washer disinfectant for flexible endoscopes

* Anforderungen an die Hygiene bei der Aufbereitung flexibler Endoskope und endoskopischen Zusatzinstrumentarium, Anlage 8 [Requirements concerning hygiene when reprocessing flexible endoscopes and endoscopic accessories, annex 8]; Bundesgesundheitsblatt 2012 · 55:1244–1310